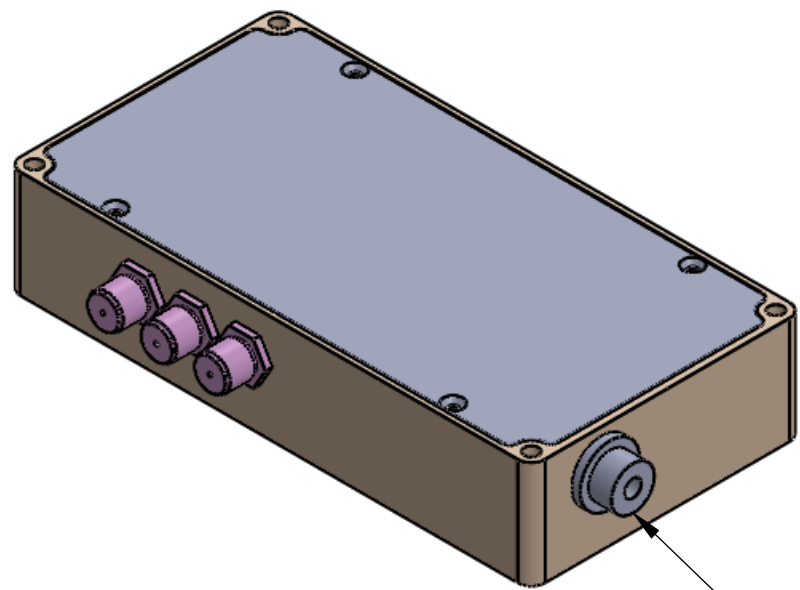
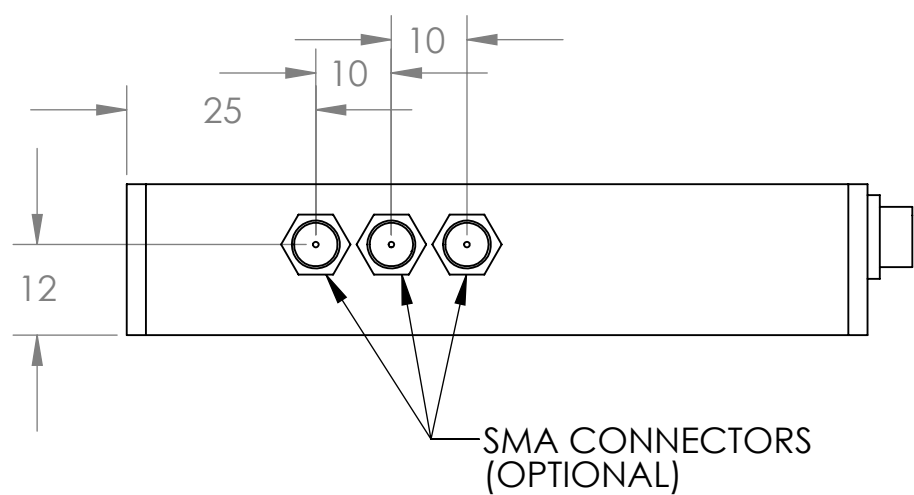
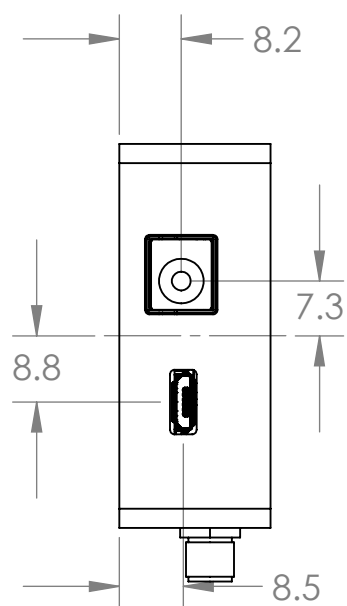
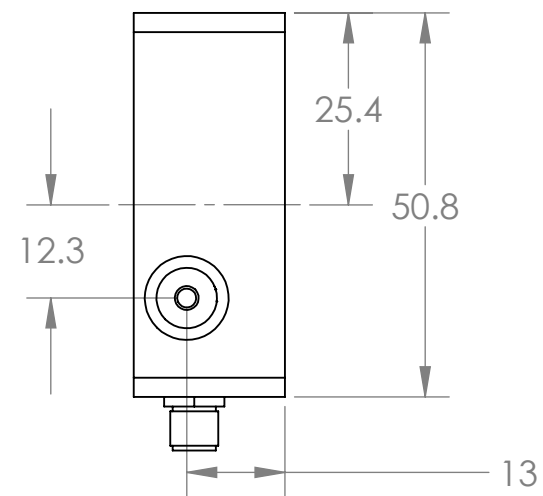
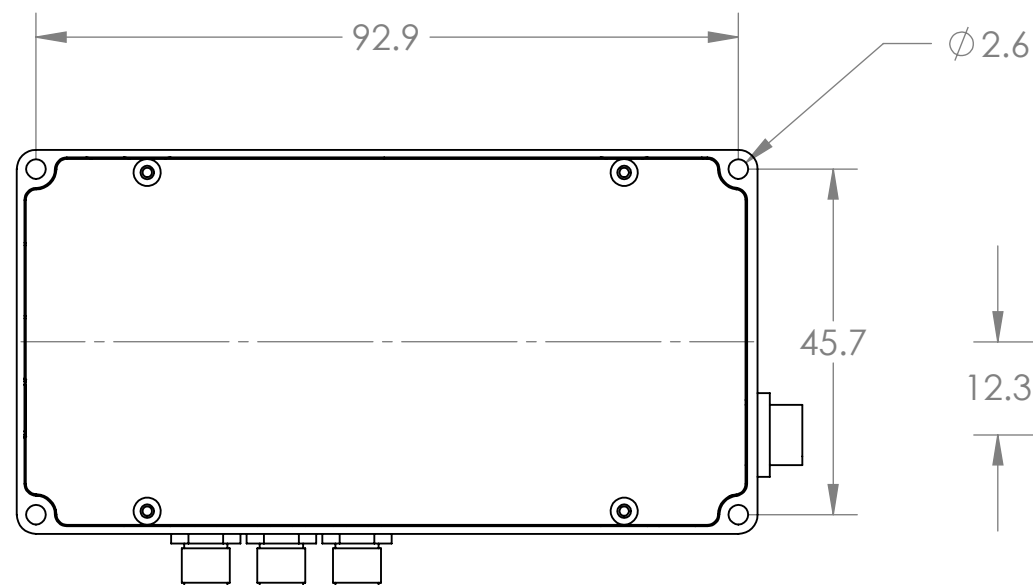
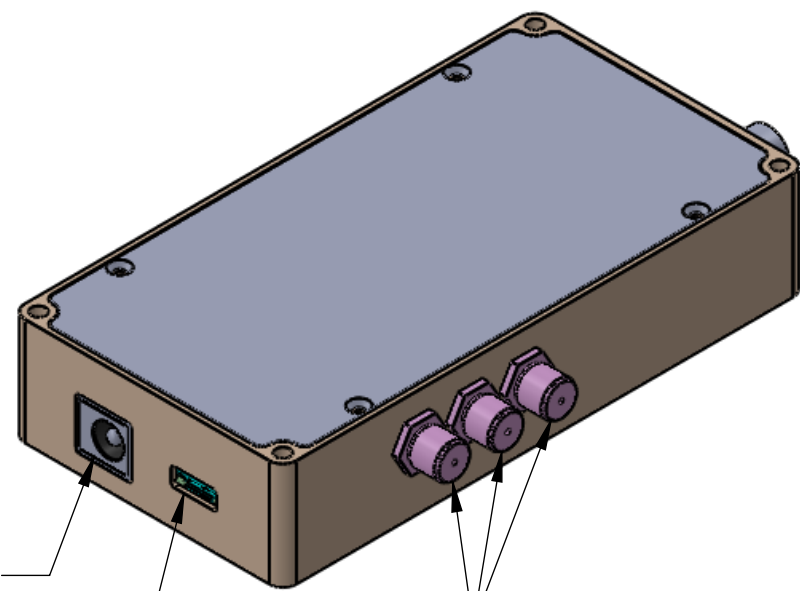


REV	DESCRIPTION	ECO Number	DATE	APPROVED
1				



FC/APC OR FC/PC OR PIGTAIL
(WITH OR WITHOUT CONNECTOR)



5MM OUTER DIA BARREL PLUG

MICRO-USB TYPE B

SMA CONNECTORS
(OPTIONAL)

Proprietary and Confidential
The information contained in this drawing is the sole property of Pure Photonics. Any reproduction in part or as a whole without the written permission of Pure Photonics is prohibited.

NEXT ASSY	USED ON
APPLICATION	

UNLESS OTHERWISE SPECIFIED DIMENSIONS ARE IN INCHES TOLERANCES ARE:		
FRACTIONS	DECIMALS	ANGLES
+ 1/32	.XX+ .01	+ .1
		.XXX+.005
MATERIAL		
FINISH --		
DO NOT SCALE DRAWING		

CAD GENERATED DRAWING, DO NOT MANUALLY UPDATE	
APPROVALS	DATE
DRAWN G.MAST	04/17/16
CHECKED	
ENG Appr.	
MFG Appr.	
Q.A.	

Pure Photonics	
PPCL500 - VERSION A???	
SIZE DWG. NO.	REV.
B 03-00XX-00X	01
SCALE	CAD FILE:
	SHEET 1 OF 1